

Dear All,

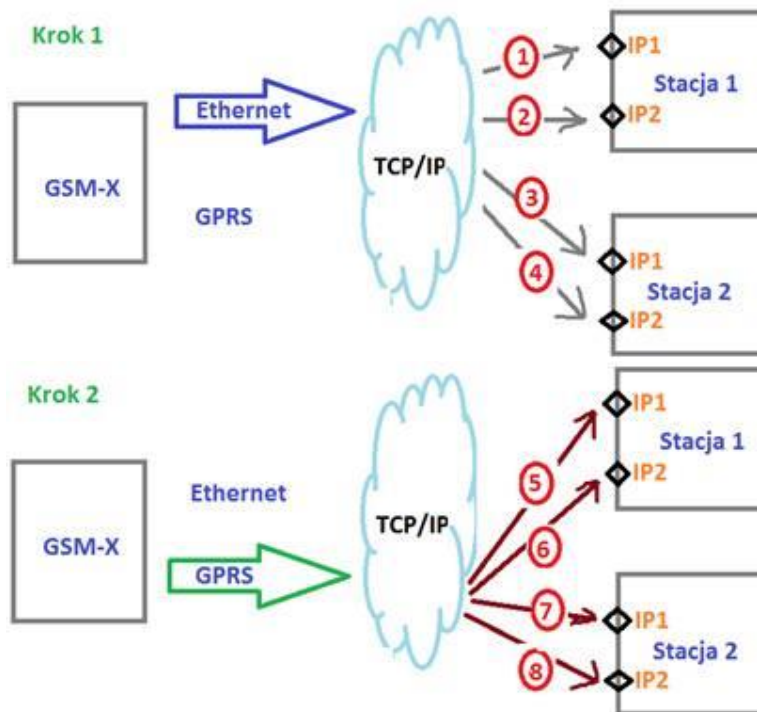
Change logs:

VERSA 1.09            2017-08-10

Added

- Compilation for VERSA Plus with new GSM
- Partition option “time for entry in night mode”
- Dual Path Reporting (see below) in reporting options
- 3 positions in the lists of confirmation types in APT-100
- ETHM-1/VERSA-ETH: option - alarm after 3 mistaken passwords
- Function of battery change int VERSA-LCDM-WRL
- VERSA Plus: module ETH option edition – time from GSM network
- Change
- VERSA Plus: synchronization of ABAX system in the end of service mode only if a ABAX device was added/deleted (not in case of VERSA-LCDM-WRL)

Dual Path Reporting is new requirement of ATS6, which is a norm for the communication modules under GRADE 3. In case of event the communication, performed on any type of communication, will be sent to 2 independend monitoring stations. Check the picturres below.



DLOADX 1.17.002

2017-07-26

Added

- Support of VERSA Plus with QUECTEL
- VERSA: Partition option “time for entry in night mode”
- VERSA: Dual reporting
- VERSA: 3 positions in the lists of confirmation types in APT-100

Fixed

- Reading IMEI/ID for VERSA Plus
- ABAX interferences level logging
- Edition of zones 92 and 93 data
- Version indicator for INT-TSI
- Outputs type 117 for INTEGRA 256 and INTEGRA 128 WRL
- INTEGRA: Structure window size
- INTEGRA 32: ABAX signal level display
- Change in address reading and version of ACU module
- Corrected conversion INTEGRA 128 WRL -> INTEGRA 256 zones/outputs